

# ***Section 10***

## ***Parts Lists & Assembly Drawings***

### *Contents*

*Parts Lists*

*Assembly Drawings*

The following pages contain information concerning the components and assemblies that make up the Iconotech Case Printer. These pages may be consulted to identify the location, quantity, and part number of the various components used on the machine. In addition, each manufactured part is stamped with a part number

When placing an order for spare or replacement parts, be sure to note the serial number of the machine to help ensure that the correct parts are shipped.

If you encounter difficulties when attempting to install new parts on your case printer, call Iconotech before proceeding with any modifications to the parts or case printer.

We have identified four categories of spares parts as described below. Parts in the first two groups are based on normal wear and what we know will happen within certain maintenance intervals. The third group is parts that will not exhibit wear until they fail in a catastrophic manner. The last group is an exhaustive bill of material.

The first list titled IMPORTANT PARTS contains parts in the first three categories indicating which of the three they fall into. The EXTENDED PARTS list follows these more critical parts.

#### **Consumable Parts**

These parts are required or recommended to be changed every 6 months or about 1.5 million prints depending on productivity and operating conditions.

#### **Wear Items**

These are parts expected to be changed, due to normal wear and tear, over a 1-2 year period depending on productivity and operating conditions. These parts will not cause catastrophic failures but instead retard productivity due to the machinery slowly falling out of adjustment. These conditions will cause modified and time consuming operating procedures to ensure reasonable print quality and throughput.

#### **Critical Up Time Parts**

These are parts recommended to have on hand in order to assure maximum up time. A failure of any of these parts will be a catastrophic failure, rendering the machine unable to operate and preventing production until the part has been replaced.

#### **Extended Parts List**

A complete list or bill of material of the printer and restacker relevant to the extended lifetime of the equipment.

**IMPORTANT PARTS LIST**

<b>Part #</b>	<b>IMPORTANT PARTS Description</b>	<b>Qty</b>	<b>Type</b>
	<b>Printing and Ink Management</b>		
16840	SPRING, INK PAD TENSION	2	Critical
85329	TUBING, INK SUPPLY -15, 10FT	1	Consume
85328	TUBING, INK RETURN -24, 7FT	1	Consume
16006	CLAMP, INK TUBING	1	Wear
14391	INK PUMP	2	Critical
14393	MOTOR, INK PUMP	2	Critical
4976	SHAFT PIN ASSEMBLY, INK-IN	1	Wear
15743	O-RING, CHECK VALVE	2	Wear
15747	O-RING, SHAFT PIN SEAL	2	Wear
0200100	PRINT CYLINDER, 12 INCH	1	Critical
	<b>Feeder</b>		
2371.2	FLIGHT W/ROLLER	6	Wear
	<b>Electrical</b>		
32036	PHOTO EYE, MAGAZINE	1	Critical
34089	REFLECTOR	1	Critical
30282	SWITCH, PROXIMITY IF5764	3	Critical
45021	INK PUMP SWITCHES	2	Critical
30278	INK PUMP BULB	2	Wear
45022	SWITCH, INK SELECTOR	1	Critical
45048	SWITCH, E-STOP PP RED	2	Critical
44625	PLC, PRINTER (FQPN10WD)	1	Critical
11396	FREQUENCY DRIVE, VFD007EL21A	1	Critical
30974	FUSE, FNQ-R-3	1	Critical
30950	FUSE, FNQ-R-4	1	Critical
30946	FUSE, FNQ-R-6	2	Critical
30954	FUSE, FNQ-R-10	2	Critical
30817	FUSE, AGC1	2	Critical
	<b>Pneumatic</b>		
82158	VALVE, SOLENOID, 45A-LAD-DAAJ-1KD	3	Critical

**IMPORTANT PARTS LIST**

<b>Part #</b>	<b>IMPORTANT PARTS Description</b>	<b>Qty</b>	<b>Type</b>
82156	VALVE, SOLENOID, 45A-LAC-DAAJ-1KD	1	Critical
83179	CYLINDER, AIR FS-171.25	1	Critical
83175	CYLINDER, AIR FS-170.25	1	Critical
83133	CYLINDER, AIR C-041-DXDE	1	Critical
	<b>Drive</b>		
14400	MOTOR, MAIN AC 240 VAC 1/2 HP	1	Critical
14098	GEAR BOX	1	Critical
16160	BELT, MAIN DRIVE 480H100	1	Critical
16100	BELT, INTERMEDIATE 240H100	1	Critical
16052	BELT, PRINT CYL DRIVE 300H100	1	Critical
4946	DRIVE SHAFT ASSEMBLY, PRINT CYL	1	Wear
15052	BELTING, 1/4" PRINTER EXIT DRIVE	1	Wear
	<b>Restacker</b>		
44626	PLC, RESTACKER (STACKER7)	1	Critical
32036	PHOTO EYE, RESTACKER	1	Critical
15054	BELTING, 1/2" RESTACKER EXIT	2	Wear
82150	VALVE, SOLENOID, 414A-AOA-DM-DJAJ-1JB	1	Wear
83136	CYLINDER, AIR, C-092-DXP	2	Wear

EXTENDED PARTS LIST			
PART #	DESCRIPTION	QTY	SECTION
4187	AIR SWITCH MOUNT	1	ELECTRIC
4188	AIR SWITCH	1	ELECTRIC
11396	DRIVE FREQUENCY 1HP	1	ELECTRIC
12843	CONTACTOR	3	ELECTRIC
12844	CONTACTOR SURGE SUPPRESSOR	3	ELECTRIC
14393	INK PUMP MOTOR 66 RPM 115V	2	ELECTRIC
14400	MOTOR AC 240 VAC 1/2 HP	1	ELECTRIC
14405	INK PUMP MOTOR FAN BLADE	2	ELECTRIC
14628	KNOB (SPEED POT)	1	ELECTRIC
14283	COUNTER RC-19	1	ELECTRIC
30189	INK PUMP LENS	2	ELECTRIC
30258	SWITCH LIMIT	1	ELECTRIC
30278	INK PUMP BULB	2	ELECTRIC
30282	SWITCH PROXIMITY	3	ELECTRIC
30483	BREAKER HANDLE (ROTARY)	1	ELECTRIC
30484	BREAKER HANDLE (FIXED W/SHAFT)	1	ELECTRIC
30486	BREAKER 2 POLE 20 AMP	1	ELECTRIC
30817	FUSE 1A	1	ELECTRIC
30954	FUSE 10A	2	ELECTRIC
30974	FUSE 3A	1	ELECTRIC
31792	POTENTIOMETER 5K	1	ELECTRIC
31795	RESISTOR 2.00 KX	1	ELECTRIC
32036	PHOTO EYE	1	ELECTRIC
34089	REFLECTOR	1	ELECTRIC
34378	HOLE SEAL 1/2"	1	ELECTRIC
35006	PHOTO EYE CORDSET 90DEG 5M	1	ELECTRIC
44625	PLC	1	ELECTRIC
45021	INK PUMP SWITCHES	2	ELECTRIC
45022	SWITCH SELECTOR	1	ELECTRIC
45048	SWITCH PP, RED	2	ELECTRIC
45049	SWITCH PB RED	1	ELECTRIC
45050	SWITCH PB YELLOW	4	ELECTRIC
45051	SWITCH PB GREEN	1	ELECTRIC
82158	VALVE, SOLENOID, 45A-LAD-DAAJ-1KD	3	ELECTRIC
82156	VALVE, SOLENOID, 45A-LAC-DAAJ-1KD	1	ELECTRIC
84912	FRL W/ SHUTOFF	1	ELECTRIC
1707	STENCIL LOAD NESTED SIDE PLATES	1	FILM LOAD
1708.1	STENCIL LOAD SIDE PLATES SPACER PLATES	1	FILM LOAD
1711.1	STENCIL LOAD SHEET SPRING SPACER	1	FILM LOAD
2105	STENCIL LOAD MOUNTING BRACKET LOCK PIN	2	FILM LOAD
2108	STENCIL LOAD SHEET SPRING	1	FILM LOAD
2116.1	STENCIL LOAD DRUM FEED ROLLER	1	FILM LOAD

EXTENDED PARTS LIST			
PART #	DESCRIPTION	QTY	SECTION
2126	STENCIL LOAD DRUM FEED ROLLER HANDKNOB	1	FILM LOAD
2283	STENCIL LOAD CORE MOUNT SHAFT KNOB	1	FILM LOAD
2284	STENCIL LOAD CAM	1	FILM LOAD
2286.1	STENCIL LOAD CORE MOUNTING SHAFT (CRS)	1	FILM LOAD
2287	STENCIL LOAD BEARING HOUSING	1	FILM LOAD
2289	STENCIL LOAD FRICTION DISC	1	FILM LOAD
2290	STENCIL LOAD FRICTION PIN	1	FILM LOAD
3356	NO5 BEARING LOCK NUT	1	FILM LOAD
11692	BEARING BRONZE FLANGE 3/8 X 5/8 X 1/2 X 7/8	2	FILM LOAD
12550	BEARING BALL	2	FILM LOAD
16711	SPRING COMPRESSION	1	FILM LOAD
16713	SPRING COMPRESSION	2	FILM LOAD
75483	COLLAR CLAMP 1-1/4 ID	2	FILM LOAD
83133	CYLINDER 3/4 Ø 1" STROKE	1	FILM LOAD
1880	LEAD SCREW MOUNT OPERATOR & DRIVE SIDE FRONT	1	MAGAZINE
1880	LEAD SCREW MOUNT OPERATOR SIDE	3	MAGAZINE
1891	LEAD SCREW ADJUSTMENT SPROCKETS 5/8 DIA	4	MAGAZINE
1893	5/8 DIA HANDWHEEL	2	MAGAZINE
2370	FLIGHT ROLLER	6	MAGAZINE
2371.2	FLIGHT WITH ROLLERS	6	MAGAZINE
2375	LEADSCREW HANDWHEEL SPACER 5/8 Ø	2	MAGAZINE
3387	FLIGHT CHAIN GUARD SPACER	2	MAGAZINE
3419	SLIDE BAR BOTTOM	1	MAGAZINE
3425	MAGAZINE UPRIGHT	1	MAGAZINE
3426	MAGAZINE SIDEPLATE OPERATOR SIDE	1	MAGAZINE
3427	MAGAZINE SIDEPLATE DRIVE SIDE	1	MAGAZINE
3428	SLIDE BAR BOTTOM	2	MAGAZINE
3429	MAGAZINE UPRIGHT	1	MAGAZINE
3596	DCP HAND FEED HOLE COVER	1	MAGAZINE
3597	FLOATER SPROCKET	2	MAGAZINE
3622	LEAD SCREW CHAIN GUARD	1	MAGAZINE
3623	LEAD SCREW CHAIN GUARD	1	MAGAZINE
3627.1	SLIDE BAR TOP OPERATOR SIDE BACK	1	MAGAZINE
3707	LEAD SCREW MOUNT OPERATOR SIDE FRONT	1	MAGAZINE
3708	LEAD SCREW BLOCK OPERATOR SIDE FRONT	1	MAGAZINE
3744	FLIGHT CHAIN GUARD OPERATOR SIDE	1	MAGAZINE
3745	FLIGHT CHAIN GUARD DRIVE SIDE	1	MAGAZINE
3795	SLIDE BAR BOTTOM	1	MAGAZINE
3796	SLIDE BAR TOP FRONT	1	MAGAZINE
3797	SLIDE BAR TOP FRONT	1	MAGAZINE
3798	SLIDE BAR TOP BACK	1	MAGAZINE
3799	SLIDE BAR TOP BACK	1	MAGAZINE

EXTENDED PARTS LIST			
PART #	DESCRIPTION	QTY	SECTION
3800	LEAD SCREW BACK	1	MAGAZINE
3801	LEAD SCREW OPERATOR	1	MAGAZINE
3802	MAGAZINE UPRIGHT	1	MAGAZINE
4159	FLIGHT CHAIN TAILSHAFT	1	MAGAZINE
4161	LEAD SCREW DRIVE FRONT	1	MAGAZINE
4163	HAND FEED DCP	2	MAGAZINE
4164	HAND FEED DCP	2	MAGAZINE
4165	HAND FEED MAGAZINE	2	MAGAZINE
4166	HAND FEED DCP MAGAZINE	1	MAGAZINE
4167	HAND FEED DCP MAGAZINE	1	MAGAZINE
4168	HAND FEED MAGAZINE	1	MAGAZINE
4169	HAND FEED MAGAZINE	1	MAGAZINE
4170	HAND FEED MAGAZINE T-RAIL	1	MAGAZINE
4171	HAND FEED MAGAZINE T-RAIL	2	MAGAZINE
4172	HAND FEED MAGAZINE T-RAIL	1	MAGAZINE
4173	HAND FEED MAGAZINE T-RAIL	1	MAGAZINE
4174	HAND FEED MAGAZINE T-RAIL	1	MAGAZINE
4175	HAND FEED MAGAZINE	1	MAGAZINE
4176	HAND FEED LOAD TRAY	1	MAGAZINE
4177	HAND FEED LOAD	2	MAGAZINE
4183.1	SINGLE REV SHAFT	1	MAGAZINE
4184.1	SINGLE REV	1	MAGAZINE
4189	LEAD SCREW BACK	1	MAGAZINE
4190	FLIGHT CHAIN GUARD DRIVE SIDE	1	MAGAZINE
4191	FLIGHT CHAIN GUARD OPERATOR SIDE	1	MAGAZINE
10383	SPROCKET	2	MAGAZINE
11704	BEARING BRONZE FLANGE 1/2 X 5/8 X 1/2	4	MAGAZINE
11756	BEARING BRONZE FLANGE 1 X 1-1/4 X 3/4	4	MAGAZINE
12002	BEARING FLANGE TWO BOLT	5	MAGAZINE
12004	BEARING FLANGE TWO BOLT	1	MAGAZINE
12272	BEARING BALL	1	MAGAZINE
12317	BEARING CARTRIDGE (1")	2	MAGAZINE
12901	CHAIN ROLLER	14'	MAGAZINE
13359	CHAIN OFFSET LINK	3	MAGAZINE
13373	CHAIN CONNECTOR LINK	3	MAGAZINE
14604	HANDLE ADJUST	3	MAGAZINE
15603	TAPE MYLAR 1/2" R TO L	1	MAGAZINE
15604	TAPE MYLAR 1/2" L TO R	1	MAGAZINE
28478	MAGAZINE E-STOP BOX	1	MAGAZINE
53701.1	FLIGHT CHAIN GUARD	1	MAGAZINE
75484	COLLAR RULAND (1-1/2)	2	MAGAZINE
79786	MAGAZINE HAND ADJUSTMENT CHAIN TIGHTENER	2	MAGAZINE

EXTENDED PARTS LIST			
PART #	DESCRIPTION	QTY	SECTION
80515	DRIVE BELT GUARD TOP	1	MAGAZINE
80516	DRIVE BELT GUARD BOTTOM	1	MAGAZINE
87244	BOX STOP	1	MAGAZINE
87245	LEAD SCREW CHAIN GUARD	1	MAGAZINE
102819	EYE MOUNT SUNEX	1	MAGAZINE
1638	ER-16 BEARING BLOCK	2	MAIN
1641.1	DISCHARGE ROLLER	1	MAIN
1648	FLIGHT CHAIN SUPPORT SHAFT	2	MAIN
1659.2	REDUCER MOUNT	1	MAIN
1664.1	MAGAZINE DRIVE SHAFT	1	MAIN
1672	SINGLE REVOLUTION SHAFT BEARING BLOCK	1	MAIN
1690	SINGLE REVOLUTION SHAFT SENSOR BRACKET BAR	1	MAIN
2123	FLIGHT CHAIN IDLER SPACER	4	MAIN
2218	CHAIN ROLLER #60 X 39.75" LG W/ R/L EACH END	6	MAIN
2227	FRONT ROLLER BELT PULLEY	1	MAIN
2291.2	INK PUMP MOTOR MOUNT	1	MAIN
2292.1	INK PUMP MOUNT	1	MAIN
2370	FLIGHT ROLLER	3	MAIN
2371.2	FLIGHT WITH ROLLERS	3	MAIN
2381.2	IMPRESSION ROLLER SHAFT	2	MAIN
2384.2	INK PUMP MOTOR COVER	1	MAIN
3081	ROLLER IDLER GEAR	1	MAIN
3082	IDLER GEAR AXLE	1	MAIN
3083.2	FLIGHT CHAIN GUIDE RAIL, DRIVE SIDE	1	MAIN
3085.2	FLIGHT CHAIN GUIDE RAIL, OPERATOR SIDE	1	MAIN
3105	SINGLE REVOLUTION SHAFT BEARING BLOCK	1	MAIN
3237	TAPER LOCK BUSHING	1	MAIN
3238	TAPER LOCK BUSHING	1	MAIN
3241	TAPER LOCK BUSHING	1	MAIN
3242	PULLEY TAPERLOCK GEAR BELT	1	MAIN
3243	PULLEY TAPERLOCK GEAR BELT	1	MAIN
3244	IDLER SPROCKET - #60	4	MAIN
3318	ENCLOSURE MOUNT STUDS	4	MAIN
3350	SINGLE REVOLUTION SHAFT SENSOR BRACKET	1	MAIN
3568	LEG ASSEMBLY	4	MAIN
3577	ER-16 BEARING BLOCK FRONT	2	MAIN
3578	ER-16 BEARING BLOCK BRACKET	2	MAIN
3580	ROLLER DRIVE GEAR	1	MAIN
3581	HEADSHAFT DRIVE GEAR	1	MAIN
3582	HEADSHAFT DRIVE GEAR SPACER	1	MAIN
3583	FLIGHT TAILSHAFT BEARING MOUNT	1	MAIN
3584	FLIGHT CHAIN TAILSHAFT FLOATER MOUNT	1	MAIN



EXTENDED PARTS LIST			
PART #	DESCRIPTION	QTY	SECTION
3588	FRONT END COVER	1	MAIN
3589	INK PUMP DRIP PAN	1	MAIN
3590	SINGLE REVOLUTION SHAFT	1	MAIN
3591	SINGLE REVOLUTION DRIVE SPROCKET	1	MAIN
3592	SINGLE REVOLUTION DRIVEN SPROCKET	1	MAIN
3593	SINGLE REVOLUTION DRV CHAIN TIGHTENER BRACKET	1	MAIN
3596	BACK END COVER	1	MAIN
3597	FLOATER SPROCKET	1	MAIN
3599	FLIGHT HEAD SHAFT BEARING MOUNT BRACKET	2	MAIN
3601	IDLER SPROCKET	1	MAIN
3604	FLIGHT CHAIN SUPPORT RAIL, DRIVE SIDE	1	MAIN
3605	FLIGHT CHAIN SUPPORT RAIL, OPERATOR SIDE	1	MAIN
3606	FLIGHT CHAIN IDLER TAKE-UP	2	MAIN
3610	SINGLE REVOLUTION SHAFT MOUNT	1	MAIN
3616.1	MAIN MACHINE SIDE PLATE DRIVE SIDE	1	MAIN
3617.1	MAIN MACHINE SIDE PLATE, OPERATOR SIDE	1	MAIN
3751	BELTING, 1/4" PRINTER EXIT DRIVE	1	MAIN
3774	ONE REV PROX ARM	1	MAIN
4225	IMPRESSION ROLLER, 40 DURO W/UNDERCUT	1	MAIN
11756	BEARING BRONZE FLANGE 1 X 1-1/4 X 3/4	2	MAIN
12009	BEARING FLANGE TWO BOLT	1	MAIN
12272	BEARING BALL	4	MAIN
12317	BEARING CARTRIDGE 1	7	MAIN
12326	BEARING CARTRIDGE 1-1/2	3	MAIN
12330	BEARING CARTRIDGE	2	MAIN
12593	BEARING PILLOW BLOCK 1-1/2	2	MAIN
12901	CHAIN ROLLER SINGLE WIDTH	3'	MAIN
12903	CHAIN ROLLER SINGLE WIDTH	5'	MAIN
13373	CHAIN CONNECTOR LINK	1	MAIN
13375	CHAIN CONNECTOR LINK	1	MAIN
13913	PROX MOUNT	3	MAIN
14098	GEAR BOX WORM REDUCER	1	MAIN
14391	INK PUMP	1	MAIN
14679	LATCH FOR ELECTRICAL ENCLOSURE	3	MAIN
16160	BELT MAIN DRIVE 480H100	1	MAIN
17818	CHAIN CONNECTOR LINK SPRING CLIP	6	MAIN
20482	MAGAZINE FRONT BLANK GUIDE	1	MAIN
25854.1	AIR TO STACKER SPACER	1	MAIN
28478	MAGAZINE E-STOP BOX	1	MAIN
35076.1	BOX JUNCTION TO STACKER	1	MAIN
38650	ONE REVOLUTION SHAFT SPACER	1	MAIN
38651	FLIGHT CHAIN TENSIONER IDLER BOLT	2	MAIN

EXTENDED PARTS LIST			
PART #	DESCRIPTION	QTY	SECTION
38652	FLIGHT CHAIN TENSIONER IDLER BOLT	2	MAIN
75481	RULLAND COLLAR	3	MAIN
75529	RULLAND COLLAR	4	MAIN
80071	FITTING	1	MAIN
80089	FITTING MALE CONNECTOR	1	MAIN
80092	FITTING ELBOW	1	MAIN
80143	FITTING	1	MAIN
80494	CONNECT, QUICK	1	MAIN
80507	FITTING	1	MAIN
82135	VALVE, SOLENOID, 45A-LAD-DAAJ-1KD	3	MAIN
85328	TUBING INK OUT	7'	MAIN
85329	TUBING INK IN	10'	MAIN
100670	FLIGHT CHAIN HEAD SHAFT	1	MAIN
100671	FLIGHT CHAIN HEAD SHAFT BEARING MOUNT	2	MAIN
100672	ADJUSTABLE HEX HUB SPROCKET	1	MAIN
100673	ADJUSTABLE HEX HUB	1	MAIN
1334	SPRING LIFTER	1	PRT CYL
1335.2	CLAMP/LIFT SPRING	4	PRT CYL
1364	DISCONNECT NEEDLE	2	PRT CYL
2277.2	VACUUM RELIEF HOUSING	1	PRT CYL
3314	MOVABLE PAD MOUNT BAR	1	PRT CYL
3315.1	FIXED PAD MOUNT BAR	1	PRT CYL
3346	DRUM GEAR	1	PRT CYL
3348	CLAMP DRUM SHAFT COLLAR KEYED	1	PRT CYL
15743	O-RING 7/16 ID 5/8 OD 3/32	2	PRT CYL
15760	O-RING NITRILE 11/16 X 7/8	2	PRT CYL
16706	SPRING COMPRESSION SS	2	PRT CYL
16840	12" PAD HOLD DOWN SPRING	2	PRT CYL
73202	SCREW FLAT HD CAP SS 5-40 X 3/8	20	PRT CYL
74067	SCREW BUTTON HD CAP SS 5-40 X 1/4	34	PRT CYL
75599	RETAINING E-RING EXTERNAL 1", X5133-98H	1	PRT CYL
75680	PIN DOWEL SS 3/8 X 2-1/2	1	PRT CYL
75683	PIN DOWEL SS 3/8 X 1-1/4	1	PRT CYL
75689	PIN SPRING SS 3/32 X 3/8	1	PRT CYL
75690	PIN ROLL SS 3/32 X 3/4	2	PRT CYL
76024	SCREW, SHOULDER BOLT 1/4 X 1/4	4	PRT CYL
80049	PLUG BRASS 3/8-18 NPT	1	PRT CYL
1364	DISCONNECT NEEDLE	2	TOP END
1365.2	DRUM MOUNT PIN	1	TOP END
1366.2	DRUM REST / PIN HOUSING	1	TOP END
1431.2	DRUM MOUNT PIN	1	TOP END
1432.2	DRIVE SHAFT	1	TOP END

EXTENDED PARTS LIST			
PART #	DESCRIPTION	QTY	SECTION
1433.1	PIN HOUSING	1	TOP END
1640	ER-20S BEARING BLOCK	2	TOP END
1698	DRUM MOUNT SPACER TUBE	1	TOP END
1699.1	SHAFT	1	TOP END
1703	DRUM DRIVE MOUNT SPACERS	2	TOP END
1704	PULLEY MODIFICATION	2	TOP END
1706	PULLEY MODIFICATION	1	TOP END
1710.1	DRUM LIFT HANDLE	1	TOP END
1714.1	DRUM LIFT SHAFT	1	TOP END
1716	OUTER PLATES SUPPORT ROD STENCIL LOAD MOUNT	1	TOP END
1718	DRUM PIVOT STOP	1	TOP END
1719	OUTER PLATES SUPPORT ROD	1	TOP END
2007	TRANSFER GEAR 20HB100 MODIFICATIONS	1	TOP END
2008	TRANSFER GEAR NFS1272A SPUR GEAR	1	TOP END
2009.1	TRANSFER GEAR AXLE	1	TOP END
2104	NIP ROLLER	2	TOP END
2109	DISCHARGE NIP ROLLER BRACKET SPACER	2	TOP END
2110	DISCHARGE NIP ROLLER BRACKET	2	TOP END
2111	PLAIN IDLER PULLEY	2	TOP END
2112	GEAR/PULLEY SPACER	1	TOP END
2113.2	FRONT GUARD	1	TOP END
2114.2	DISCHARGE GUARD	1	TOP END
2115.1	GUARD HINGE WITH BRACKETS	1	TOP END
2117	HINGED GUARD	1	TOP END
2119	DRUM LIFT SPRING SHOULDER BOLT	1	TOP END
2291.1	INK PUMP MOTOR MOUNT	1	TOP END
2292.1	INK PUMP MOUNT	1	TOP END
2384.2	INK PUMP MOTOR COVER	1	TOP END
3211	AIR KNIFE SUPPORT ROD	1	TOP END
3212	AIR KNIFE MOUNT SUPPORT	2	TOP END
3213.1	AIR KNIFE MOUNT	2	TOP END
3248	TAPER LOCK BUSHING	2	TOP END
3249	TAPER LOCK BUSHING	1	TOP END
3352	DISCHARGE NIP ROLLER SHAFT	1	TOP END
3496	PIE CAM, 60 DEGREE	2	TOP END
3534	EXIT AIR BLOW OFF MOUNT	2	TOP END
3555	DRUM DRIVE MOUNT	1	TOP END
3556	DRUM DRIVE MOUNT	1	TOP END
3557	DRUM DRIVE BELT TENSIONER	1	TOP END
3635	DRIVE SIDE PRINT SECTION SIDE PLATE	1	TOP END
3636.1	OPERATOR SIDE PRINT SECTION SIDE PLATE	1	TOP END
3637	PLATE NESTING LAYOUT FOR P/N'S 3088 & 2103	1	TOP END

EXTENDED PARTS LIST			
PART #	DESCRIPTION	QTY	SECTION
3638	GAS SPRING MOUNT MODIFICATIONS	2	TOP END
3665	CYLINDER MOUNTING PLATE	1	TOP END
3681	CYLINDER MOUNTING	1	TOP END
3705	DRUM MOUNT	1	TOP END
3713	DRUM HEIGHT SCREW	1	TOP END
3714	DRUM LEVEL ADJUSTMENT SPLINE	1	TOP END
3715	DRUM LEVEL BALL PLUNGER MOUNT	1	TOP END
3716.1	DRUM LEVEL SCREW BLOCK	1	TOP END
3897	PIE CAM, 160 DEGREE	2	TOP END
3919	DRUM LIFT ARM	1	TOP END
4105	DRUM DRIVE BELT TIGHTENER	1	TOP END
4140	DUAL AIR CYLINDER ANTI ROTATION	1	TOP END
4183.1	SINGLE REV SHAFT	1	TOP END
4184.1	SINGLE REV SHAFT BUSHING	1	TOP END
4185	AIR SWITCH SPACER	1	TOP END
4186	AIR SWITCH NUT BLOCK	1	TOP END
4187	AIR SWITCH MOUNT	1	TOP END
4188	AIR SWITCHMOUNT PLATE	1	TOP END
6135	MODIFIED CAM FOLLOWER	1	TOP END
6143	DRUM MOUNT PIN THUMB SCREW	2	TOP END
11087	ROD END	2	TOP END
11112	ROD END	1	TOP END
11764	BEARING BRONZE FLANGE 1-1/4 X 1-1/2 X 1/2 LG	2	TOP END
12278	BEARING BALL 3/4	4	TOP END
12283	BEARING BALL 1"	2	TOP END
12321	BEARING CARTRIDGE 1-1/4	7	TOP END
12516	BEARING 3/4 X 7/8 X 1" LG DX	2	TOP END
14391	INK PUMP	1	TOP END
14648	HANDLE 1/4-20 X .78	2	TOP END
15736	O-RING 5/32 ID X 9/32 OD	16	TOP END
15743	O-RING NITRILE 7/16 ID 5/8 OD 3/32	2	TOP END
15778	O-RING NITRILE 1-1/4 ED 1-1/2	4	TOP END
16052	BELT DRUM DRIVE 300H100	1	TOP END
16100	BELT INTERMEDIATE 240H100	1	TOP END
16702	SPRING EXTENSION	1	TOP END
16708	GAS SPRING	2	TOP END
59096	AIR KNIFE BAG GUIDE	1	TOP END
62852	EXAIR REGULATOR MOUNT	1	TOP END
74138	SPRING PLUNGER 3/8-16 X 5/8	1	TOP END
75471	BOLT TAP 3/8-16 NC X 1-3/4 LG FULL THD	1	TOP END
75549	COLLAR ALUMINUM CLAMP 3/4	4	TOP END
75580	RETAINING E-RING EXTERNAL 3/4, SHAFT	2	TOP END

<b>PART #</b>	<b>DESCRIPTION</b>	<b>QTY</b>	<b>SECTION</b>
75581	RETAINING E-RING EXTERNAL 1", SHAFT	2	TOP END
75780	CLAMP HOSE	2	TOP END
77113	RETAINING RING EXTERNAL 1-1/4, SHAFT	2	TOP END
80091	FITTING TEE 1/4"	1	TOP END
80092	FITTING ELBOW	2	TOP END
80103	¼ NPT X 2" LONG PIPE NIPPLE	2	TOP END
80122	FITTINGS NYLON STRAIGHT	2	TOP END
80459	FITTING ¼ X 1/4 FEMALE	2	TOP END
80504	¼ NPT CAP	1	TOP END
81025	AIR BLOWER FAN NOZZLE	2	TOP END
82087	ROLLER AIR VALVE	1	TOP END
82183	BIG VALVE – AIR PILOT	1	TOP END
83179	CYLINDER, AIR FS-171.25	1	TOP END
83175	CYLINDER, AIR FS-170.25	1	TOP END
84923	EXAIR 2" KIT	1	TOP END

EXTENDED PARTS LIST		
PART #	DESCRIPTION	QTY
11110	ROD END 5/16 DIA FEMALE R.H.	2
11699	BUSHING, FLANGE	4
12317	BEARING, CARTRIDGE 1"	2
12621	BEARING PB 1-1/8	2
12784	CONTACTOR - 120V	2
12785	CONTACTOR SURGE SUPPRESSOR	2
12902	CHAIN	25'
13360	CHAIN OFFSET	2
13374	CHAIN, CONNECTOR LINKS	5
13535	CONTACTOR OVERLOAD 1.0-5.0A	1
13536	CONTACTOR OVERLOAD 3.2-16A	1
14604	HANDLE, ADJUSTABLE STUD TYPE	1
14643	WHEELS, V-GROOVED	2
14668	WHEELS, CASTER	2
14679	LATCH - ELECTRICAL ENCLOSURE	2
15603	TAPE, MYLAR R TO L	1
15604	TAPE, MYLAR L TO R	1
18204	GEARMOTOR	1
30370	SWITCH, THUMBWHEEL	1
30371	SWITCH, THUMBWHEEL END PLATE	1
30372	SWITCH, THUMBWHEEL END PLATE	1
30380	DISCONNECT	1
30817	FUSE 1A	1
30946	FUSE 6A	2
30950	FUSE 4A	1
32036	PHOTO EYE	1
34335	PLUG, DC CONTROL	1
34491	PLUG, POWER CORD 125/ 250 VAC 20 AMP	1
34492	RECEPTACLE 250VAC	1
34494	BOX COVER	1
34581	BACKSHELL CLAMP DC CONTROL	1
34627	PIN, DC CONTROL	2
35006	PHOTO EYE CORDSET	1
44281	INDICATOR, AMBER NEON	1
44626	PLC	1
45050	SWITCH PUSH BUTTON 1N.O.	1
45052	SWITCH SELECT 2 POSITION	1
80089	FITTING, AIR 1/4 X 1/8	2
80092	FITTING, AIR 1/4 X 1/8	2
80093	FITTING, AIR, ELBOW 3/8 X 1/4 169PLNS-6-4	1
80094	FITTING, AIR 1/4 X 1/8	2

EXTENDED PARTS LIST		
PART #	DESCRIPTION	QTY
80456	FITTING, AIR 3/8 X 1/8	1
80495	FITTING, AIR, ELBOW, SWIVEL 3/8 X 1/4 W169PL-6-4	1
82006	VALVE, BIMBA	4
82150	SOLENOID 414A-AOA-DM-DJAJ-1JB	1
83136	CYLINDER, AIR	2
84909	MUFFLER 1/8"	2
84912	FRL WITH SHUTOFF	1
12028.2	HANDWHEEL MOUNT SHAFT	1
12029.1	TAPPED FLANGE BEARING	1
12030	CHAIN TENSIONER	1
12031	CHAIN TENSIONER NUT BLOCK	1
12032.1	ADJUSTABLE SCREW SPACER	1
13043	CHAIN TENSIONER	2
13046	STACKER STOP	1
13052	WHEEL SHAFT	1
13294	SCREW BLOCK	1
13788	CHAIN TENSIONER DISK	1
17660	ADJUSTABLE STOP	1
17665	MAGAZINE FINGER	1
17666	CONVEYOR BELT SLIDES	1
17667	CONVEYOR BELT SLIDES	1
17668	TAIL SHAFT	1
17669	TAIL SHAFT	2
17864.1	AIR CYLINDER GUARD	1
17865.1	AIR CYLINDER GUARD	1
17866	MAGAZINE SIDE PLATE	2
17867	MAGAZINE SIDE PLATE	1
17868	MAGAZINE SIDE PLATE	1
17869	MAGAZINE SIDE PLATE	2
17871	DISCHARGE BELT	2
17872	HOLD UP WHEELS	2
18866	MAIN DRIVE MOTOR SPROCKET	2
20471	CHAIN TENSIONER PLATE	2
20472	CHAIN TENSIONER SPACER	7
20475	BOTTOM CROSSMEMBER	2
20476	CONVEYOR MOUNT TUBE	2
20481	CROSS SHAFT	4
20483	STACKER GUIDE TRACK	4
21562	GROUND BAR MODIFIED 31075	2
24179	CROSS BRACE	2
24194	MAIN DRIVE DRIVEN SPROCKET	9
24197	GUARD NUT BLOCK	2

EXTENDED PARTS LIST		
PART #	DESCRIPTION	QTY
24198	CHAIN GUARD	2
24615	CHAIN GUARD	3
24616.1	MOTOR MOUNT	1
24617.1	HAND WHEEL SPROCKETS 5/8 DIA	1
24618	CONVEYOR BELT SUPPORT RIGHT SIDE	2
24619	CONVEYOR BELT SUPPORT LEFT SIDE	2
25738	BOTTOM CROSSMEMBER	4
28464.1	EYE MOUNT	5
32483	MAGAZINE FINGERS AIR CYL MOUNT CLAMP PLATE	1
33675	TOP CROSSMEMBER	2
33677	MOUNT TAB	1
33678	TOP MOVABLE STOP MOUNT	1
3409	STACKER STOP	1
3505	STACKER STOP	1
3506	BELT ADJUST SCREW	1
3507	BELT ADJUST SCREW	1
3508	BELT ADJUST SCREW	1
3509	BELT ADJUST SCREW	1
3510.1	CONVEYOR HEADSHAFT PULLEY	1
3511.1	HEX SHAFT HEADSHAFT	1
3515	POINTER OPERATOR SIDE	2
3516	POINTER OPP. OPERATOR SIDE	4
3521	TRANSFER RAIL	1
3522	TOP CROSSMEMBER	2
3567	CORD HOLDER	2
3607	STACKER JUNCTION BOX TO CONVEYOR	1
3611	MAGAZINE FINGERS MOUNTING PLATE	2
3612	MAGAZINE FINGERS MOUNTING PLATE	1
3614	MAGAZINE SUPPORT FRONT	1
3717	MAIN SIDE PLATE RIGHT	1
3719.1	MAIN SIDE PLATE LEFT	1
3786	WHEEL MOUNT	1
3803	CONVEYOR MOUNT BAR	1
3804	CONVEYOR MOUNT BAR	1
3805	MAGAZINE SUPPORT FRONT	1
3806	BEARING MOUNT	1
3807	BEARING SPACER	2
9151.1	MAGAZINE FINGERS ROD END MOUNT	1
9152.2	MAGAZINE FINGERS AIR CYLINDER MOUNT	1
9389.1	LEAD SCREW SPROCKETS 5/8 DIA	1
9390.1	HANDWHEEL 6" WITH 5/8 DIA BORE	1
9586	CONVEYOR TAILSHAFT PULLEY	2



<b>EXTENDED PARTS LIST</b>		
<b>PART #</b>	<b>DESCRIPTION</b>	<b>QTY</b>
9603	CONVEYOR SLIDE MOUNTS	1
9605	CONVEYOR SLIDE BLOCK	2
9612.2	TOP SIDE PLATE SUPPORT	1

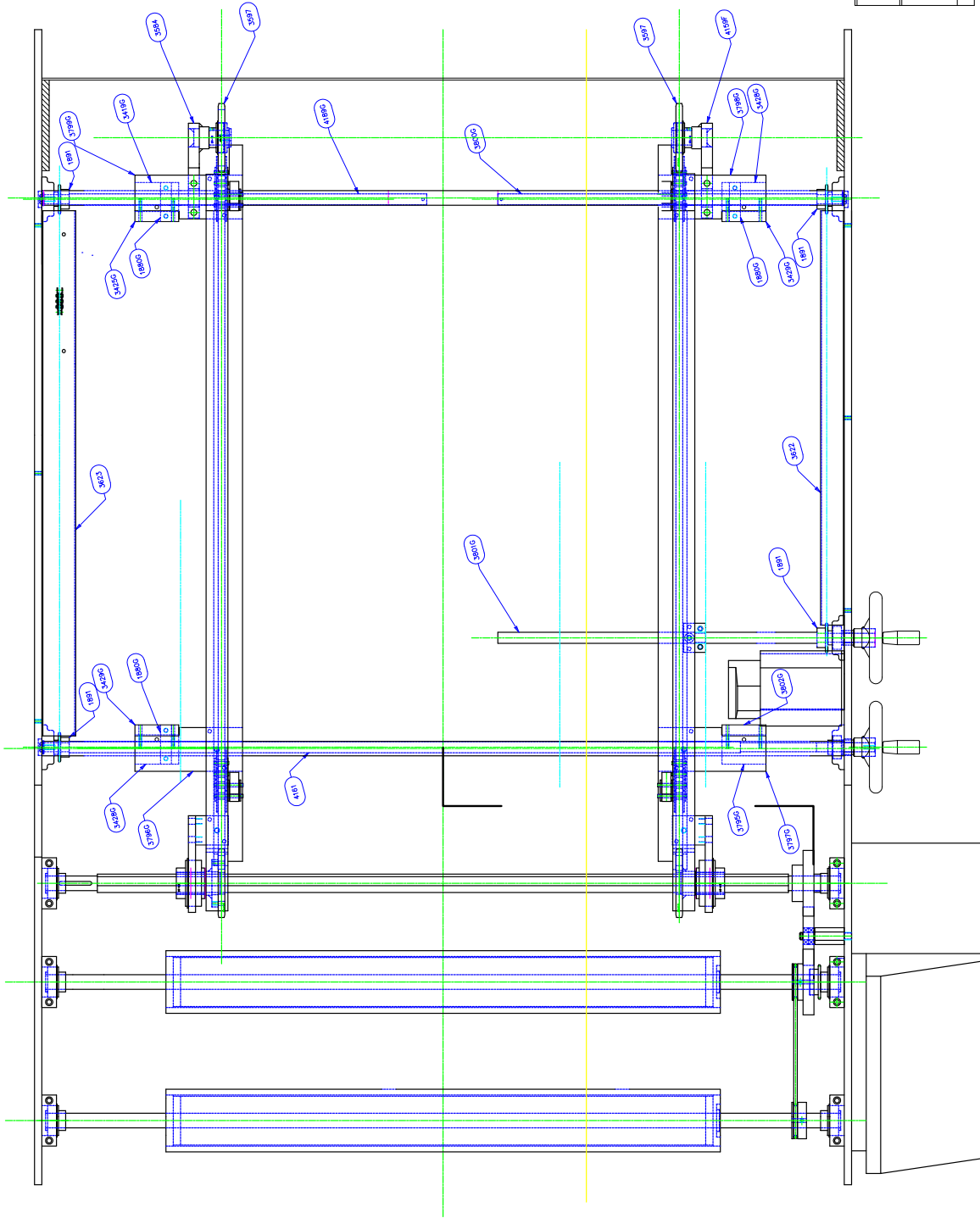
**DRAWINGS*****Optimizer Hand Feed***

Side View  
Top View  
Front View  
Rear View  
Top Assembly – Main View  
Top Assembly – Side View  
Top Cover  
Print Cylinder  
Print Cylinder – Ink In/Out  
Ink Pump Assy  
Stencil Loading Device

***Restacker***

Rear View  
Side View  
Top View



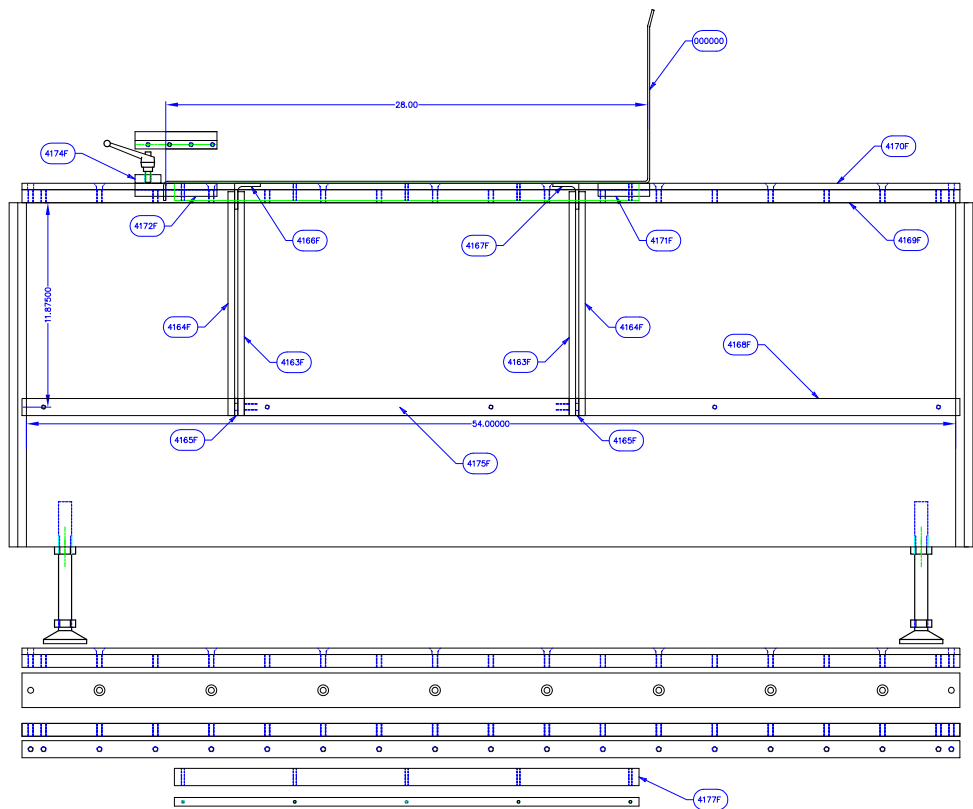
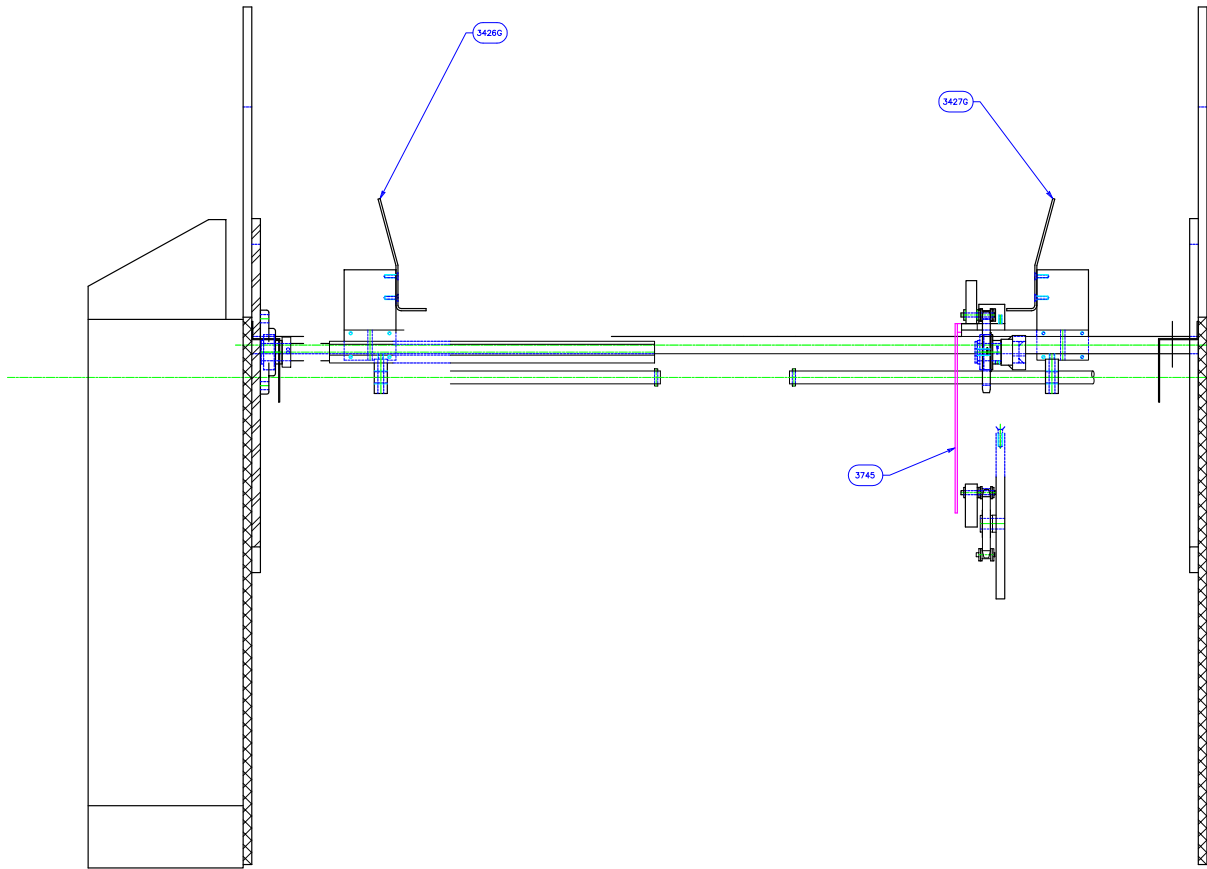


FLIGHT CHAIN GUARDS  
 4191 OPERATOR SIDE  
 4192 DRIVE SIDE

**OPTIMIZER - TOP VIEW**  
 HAND FEED

This drawing is the property of  
*Iconitech*  
 Clinton, CT 06413  
 and may not be used or reproduced without permission

Scale: 1:7



**OPTIMIZER - FRONT VIEW  
HAND FEED**

This drawing is the property of  
*Iconotech*  
 Clinton, CT 06413  
 and may not be used or reproduced without permission

Scale: 1:7

**OPTIMIZER - REAR VIEW**

**HAND FEED**

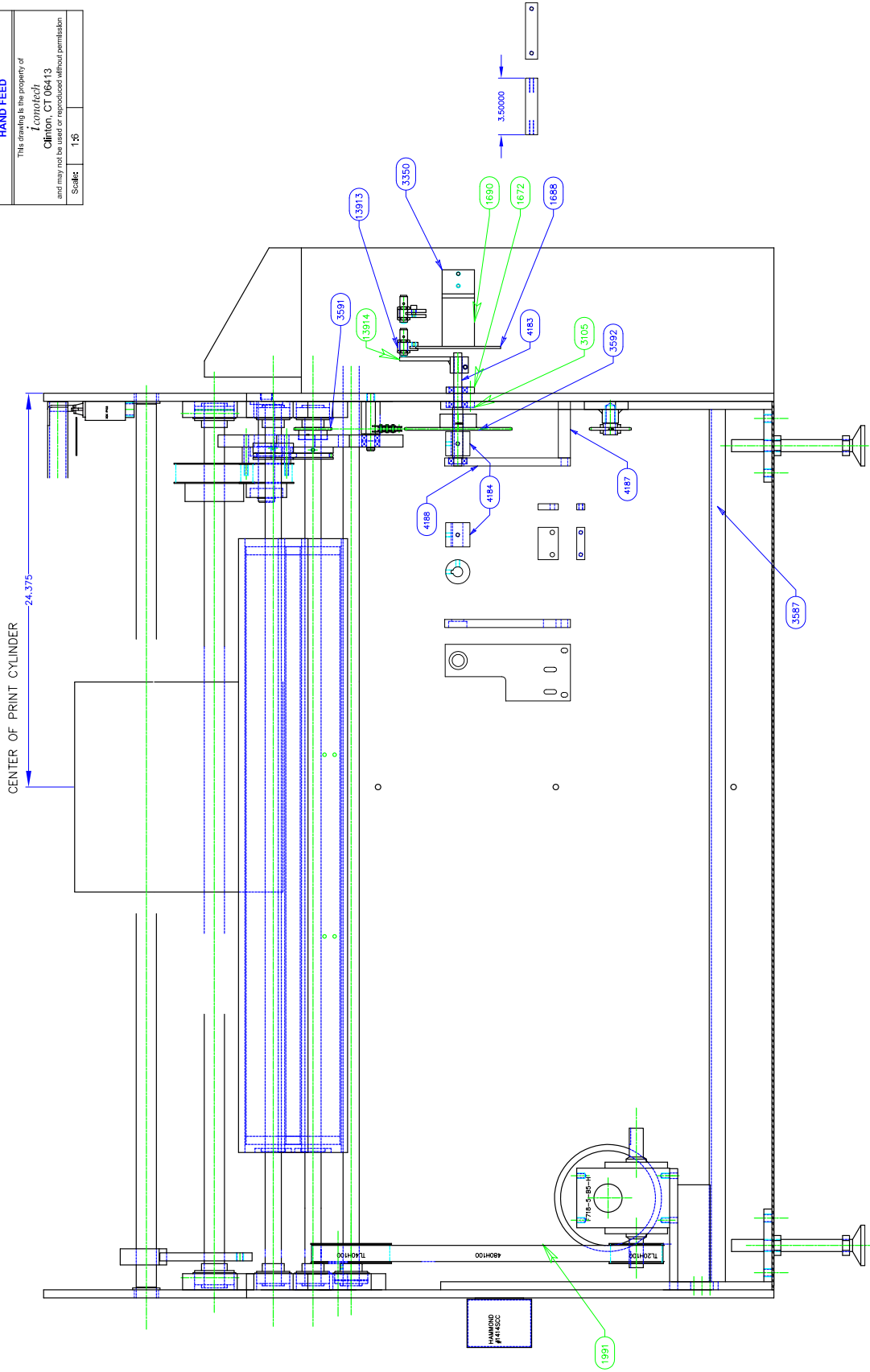
This drawing is the property of

Coronado

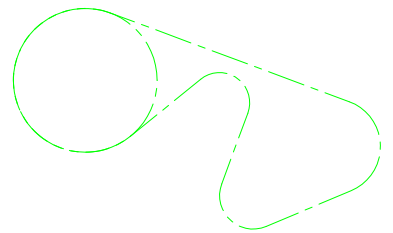
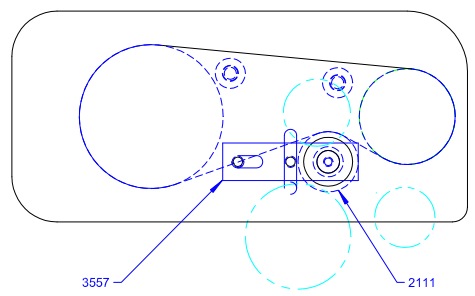
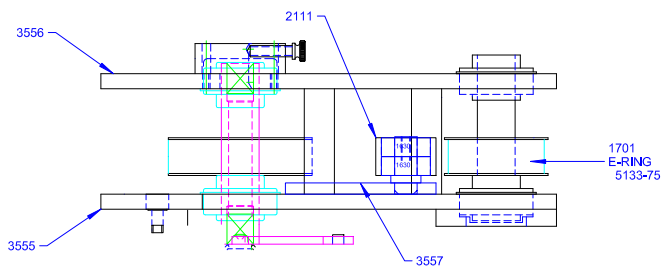
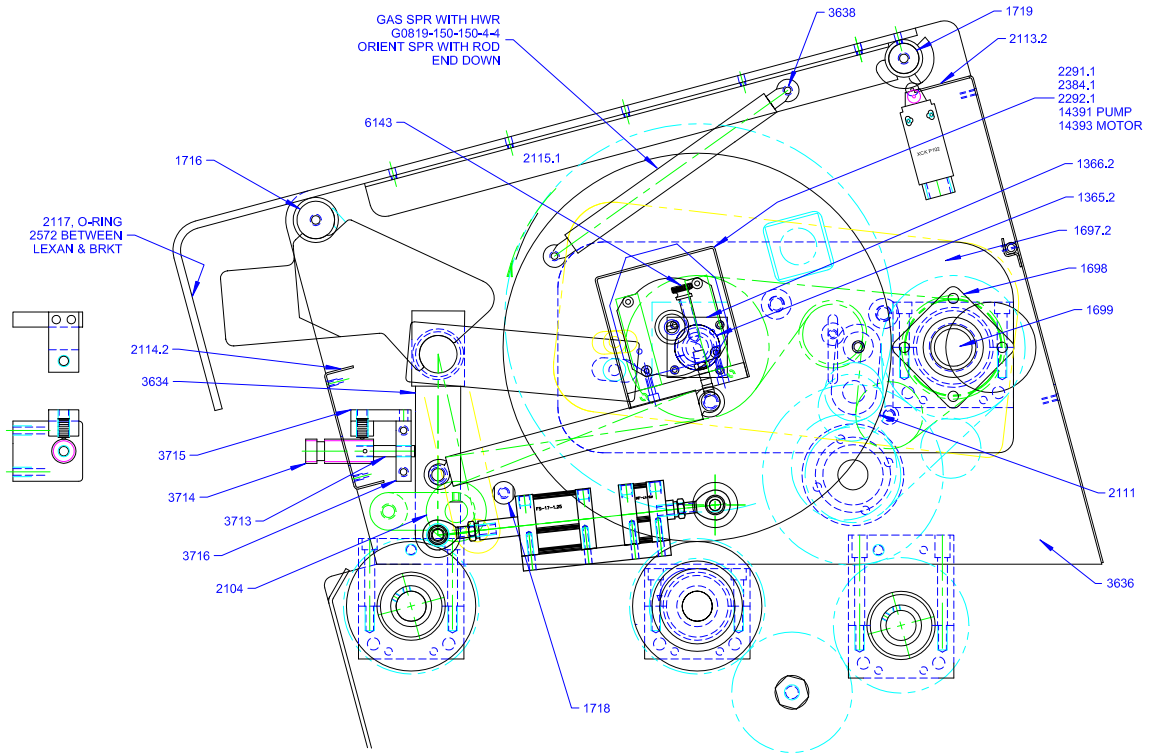
Clinton, CT 06413

and may not be used or reproduced without permission.

Scale: 1:8





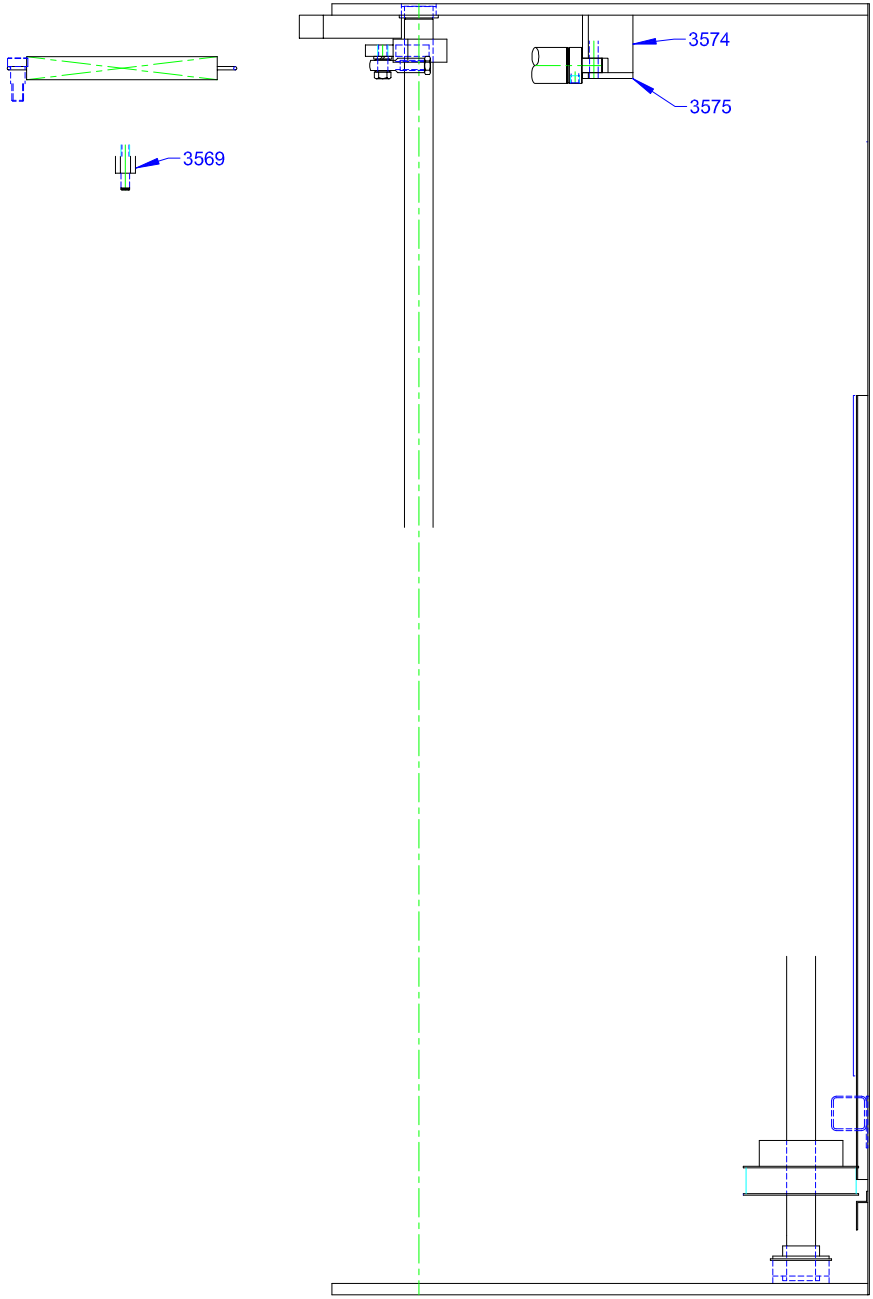


**TOP ASSEMBLY - SIDE VIEW**

This drawing is the property of  
*Iconotech*  
 Clinton, CT 06413  
 and may not be used or reproduced without permission

Scale:	1:4
--------	-----

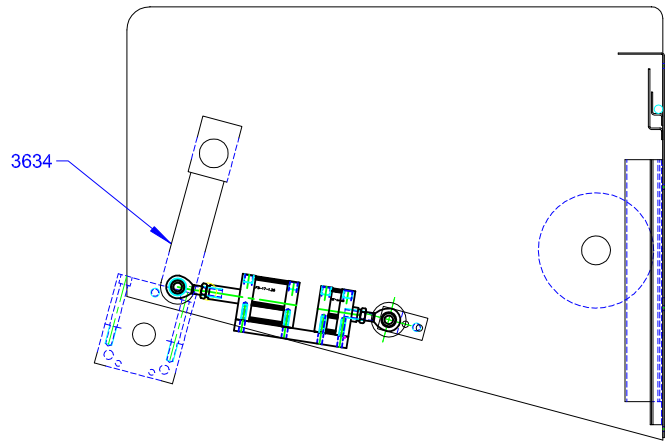


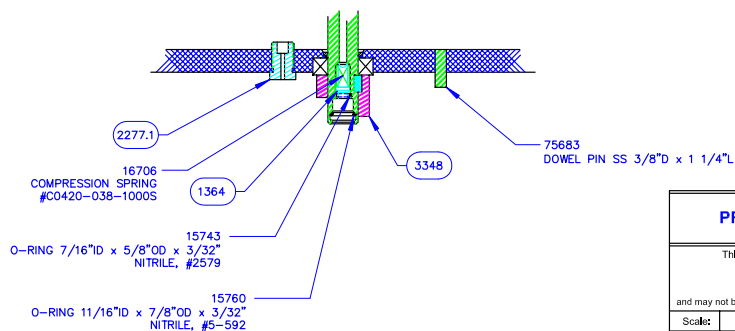
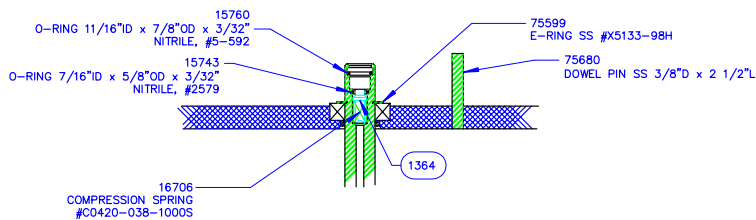
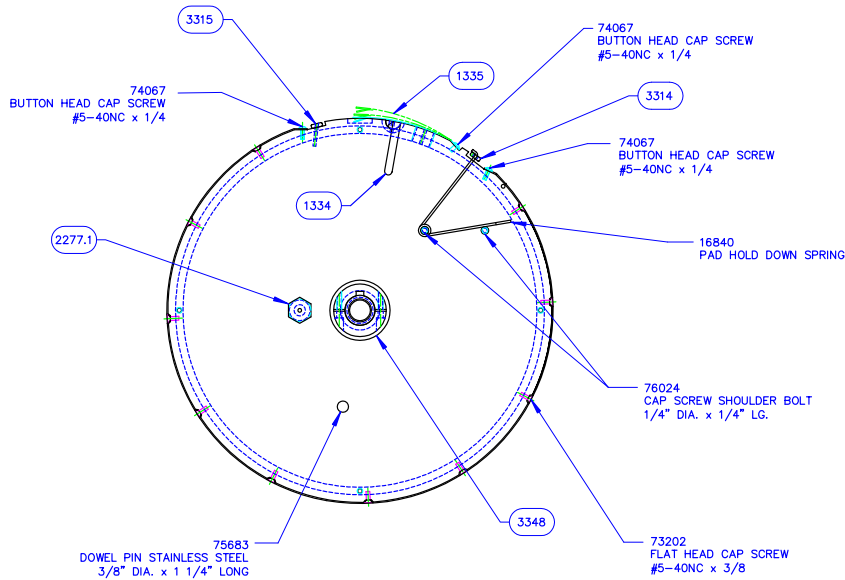
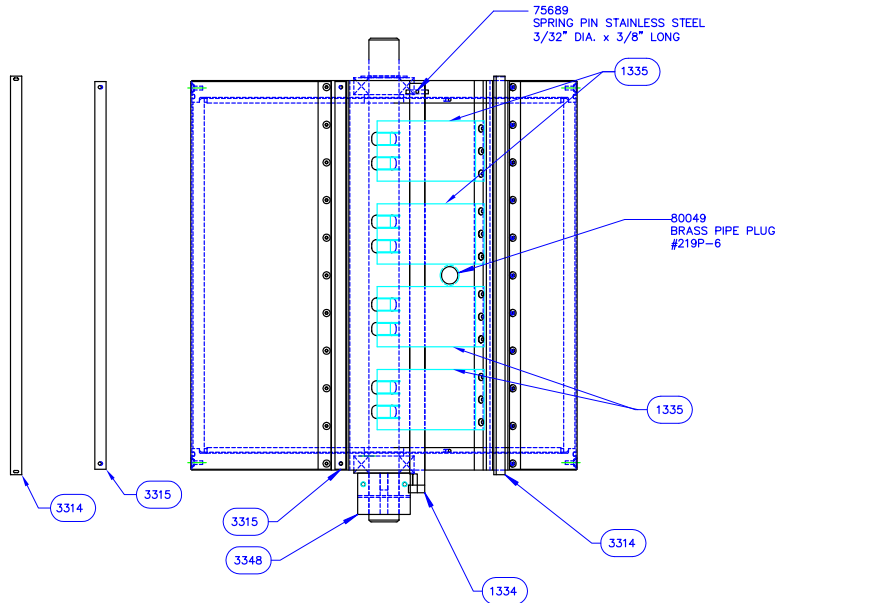


## TOP COVER

This drawing is the property of  
*i*conotech  
 Clinton, CT 06413  
 and may not be used or reproduced without permission

Scale: 1:8

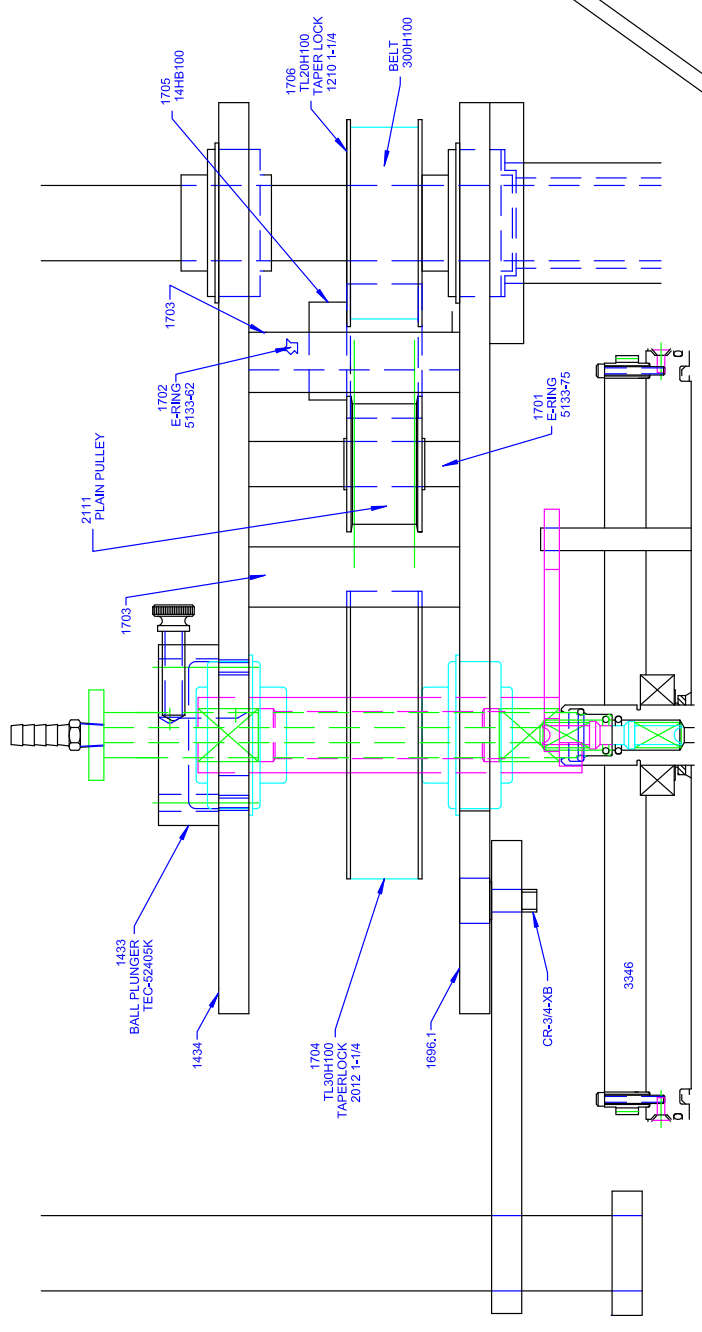




**PRINT CYLINDER**

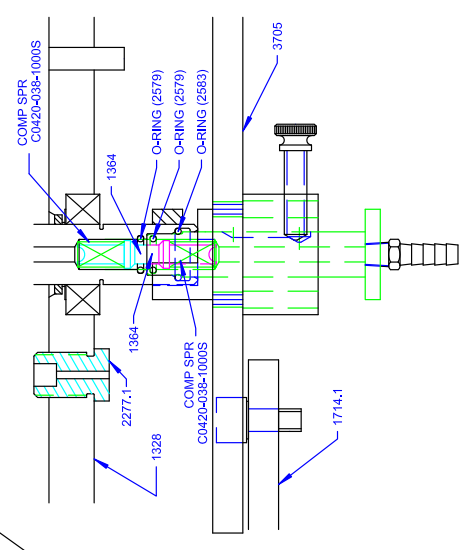
This drawing is the property of  
**Iconotech**  
 Clinton, CT 06413  
 and may not be used or reproduced without permission

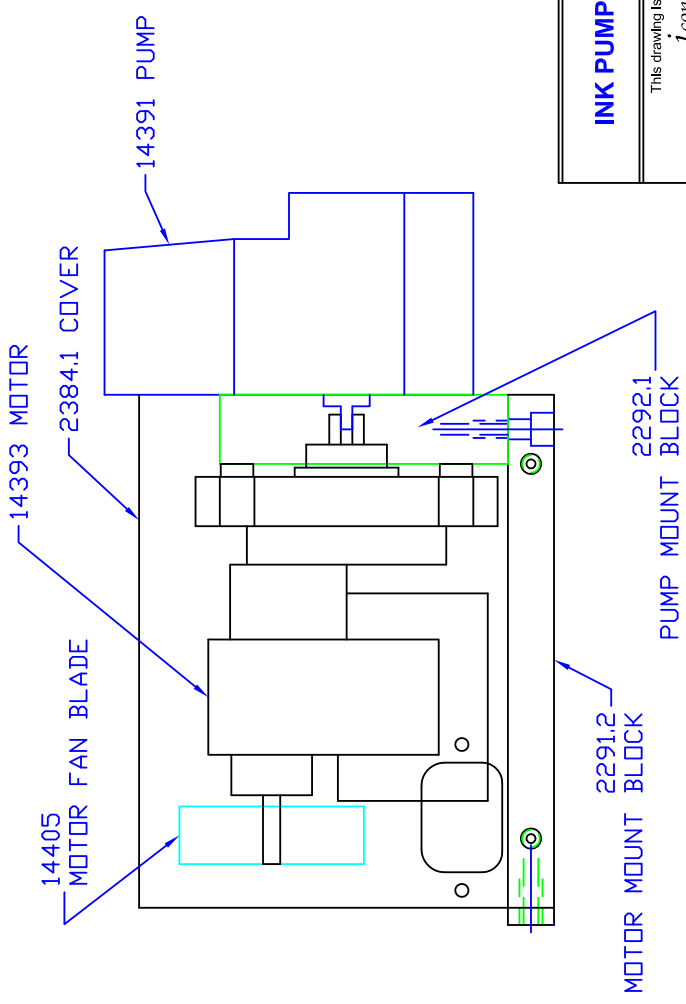
Scale: 1:4



**DRIVE SIDE**

**OPERATOR SIDE**





**INK PUMP & MOTOR**

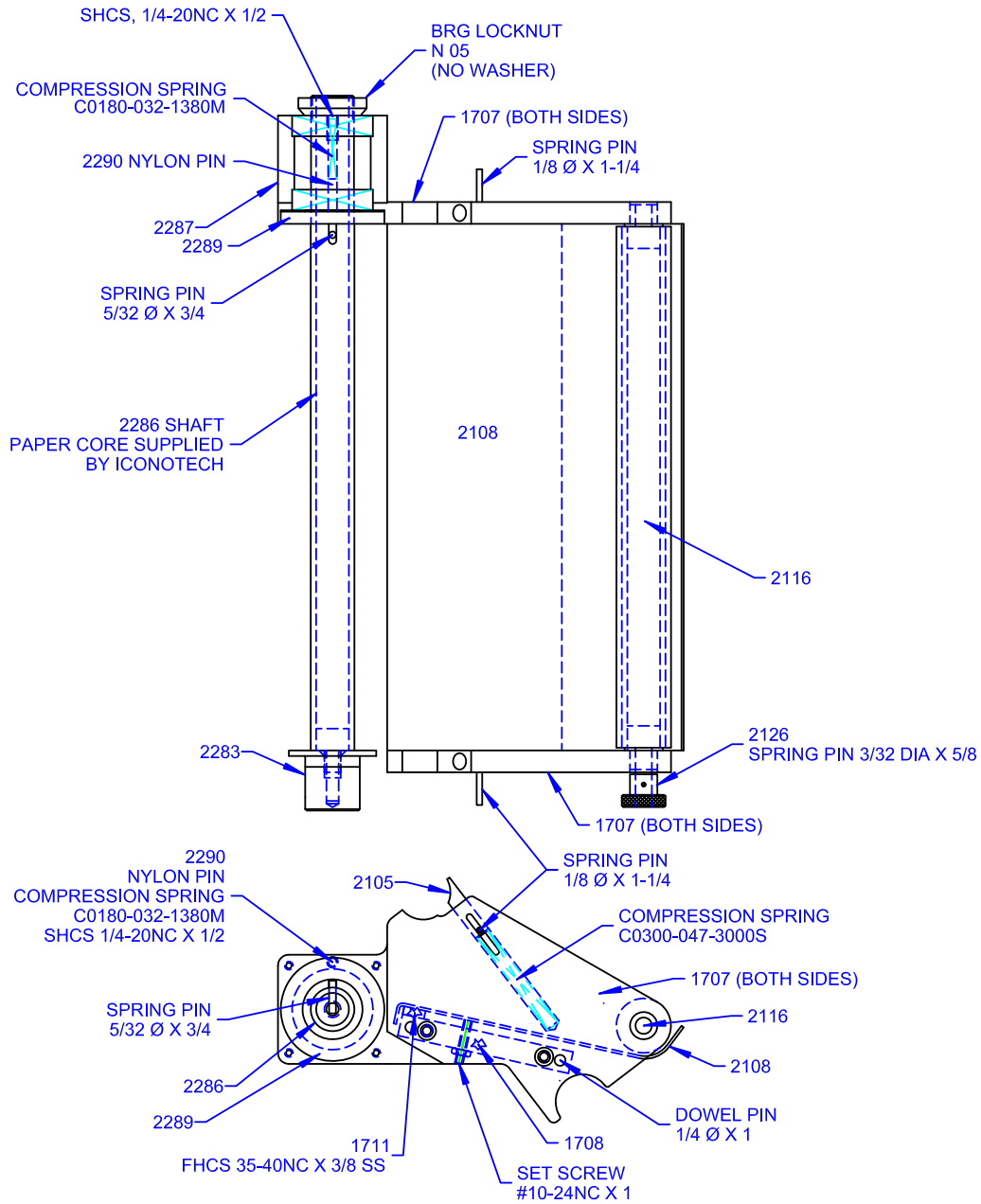
This drawing is the property of  
*i corrotech*  
 Clinton, CT 06413  
 and may not be used or reproduced without permission

Scale: 1:2

## STENCIL LOADING ASSY

This drawing is the property of  
*Iconotech*  
 Clinton, CT 06413  
 and may not be used or reproduced without permission

Scale: 1:4

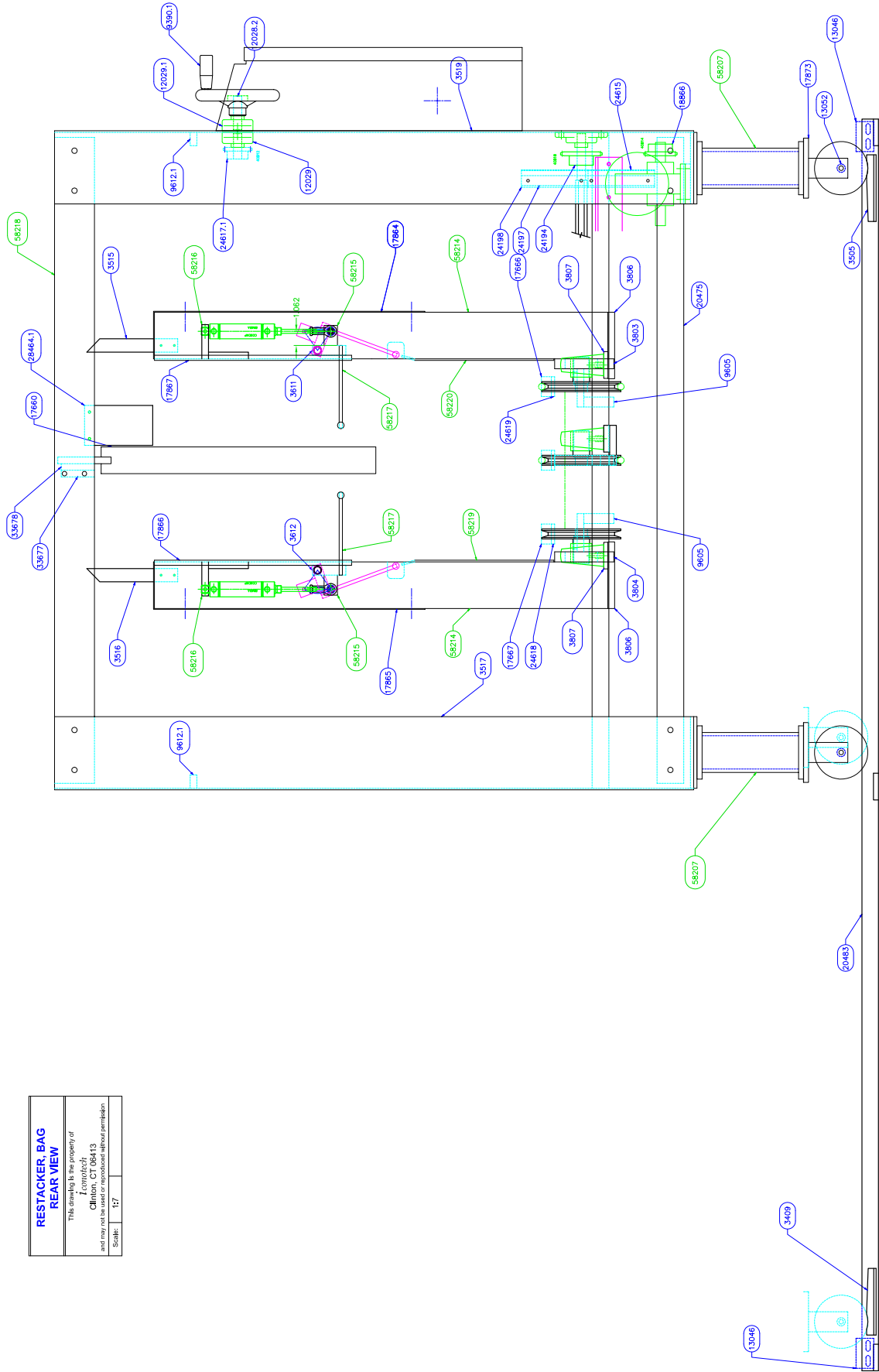


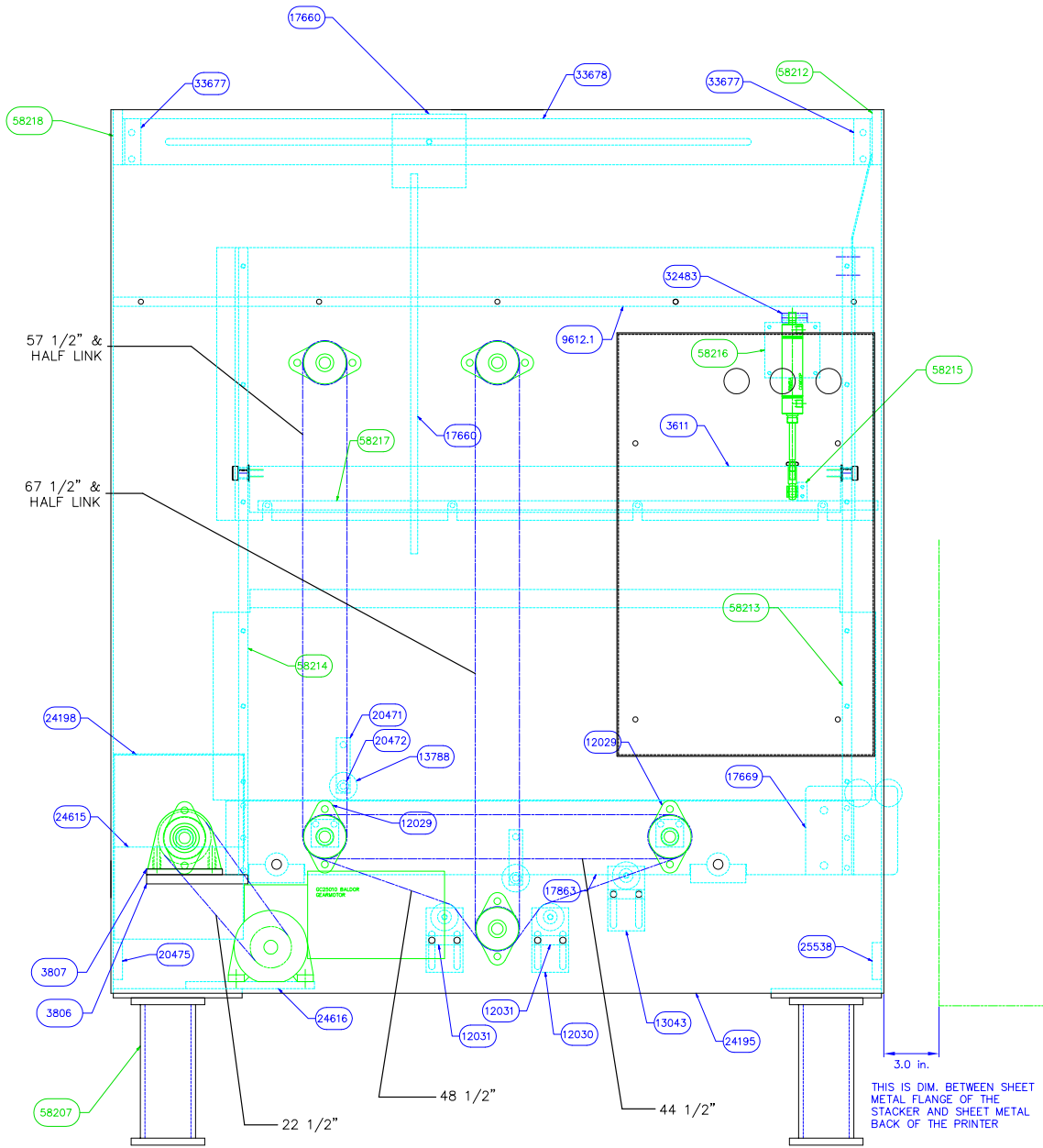
**RESTACKER, BAG  
REAR VIEW**

This drawing is the property of  
**Loonipochy**  
 Clinton, CT 06413

and may not be used or reproduced without permission

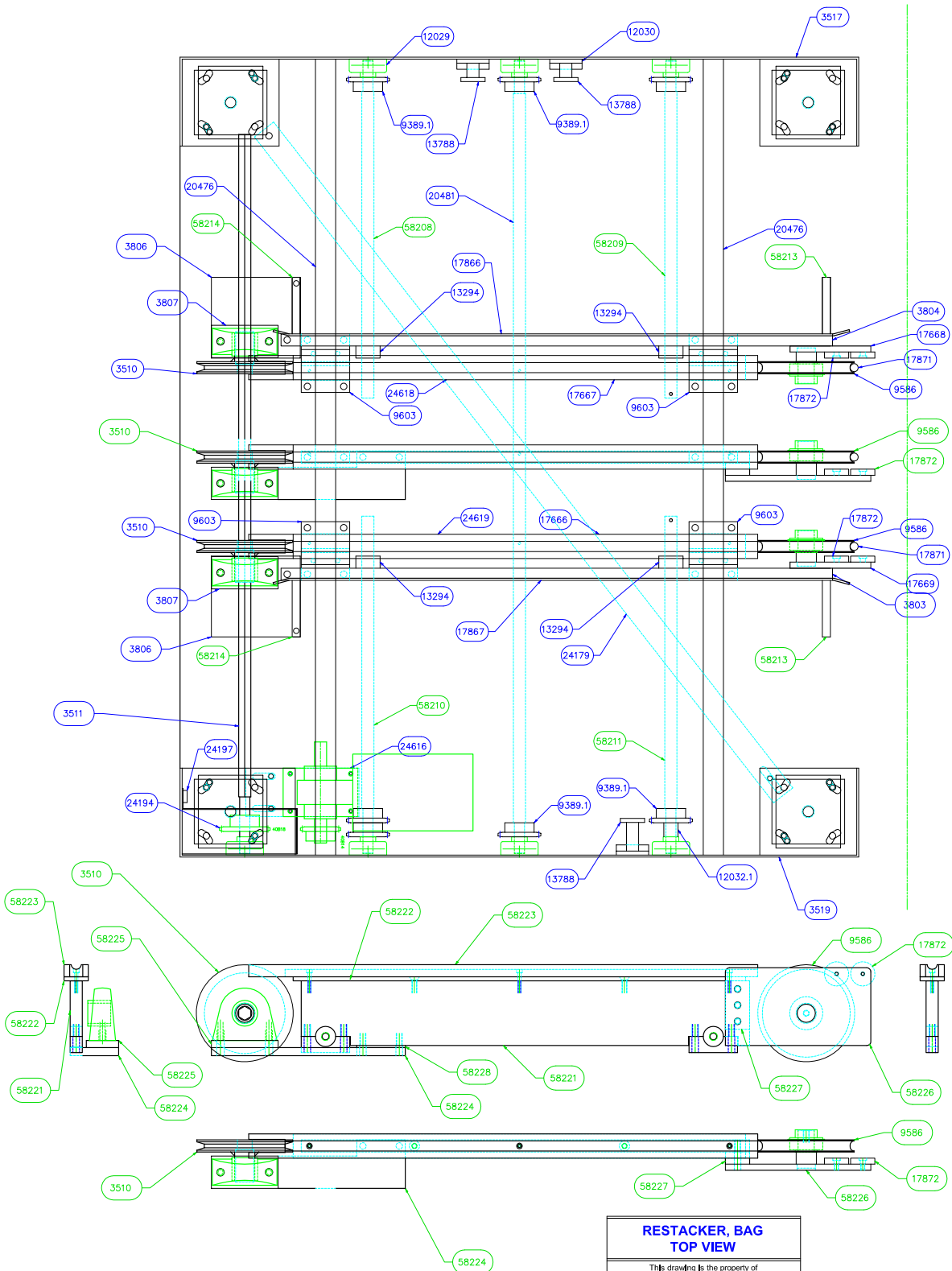
Scale: 1:17





THIS IS DIM. BETWEEN SHEET METAL FLANGE OF THE STACKER AND SHEET METAL BACK OF THE PRINTER

<b>RESTACKER, BAG SIDE VIEW</b>	
This drawing is the property of <i>Iconotech</i> Clinton, CT 06413 and may not be used or reproduced without permission	
Scale:	1:6



**RESTACKER, BAG  
TOP VIEW**

This drawing is the property of  
*Iconotech*  
 Clinton, CT 06413  
 and may not be used or reproduced without permission

Scale: 1:6